



# Z160

## FUEL INSPECTION HD CAMERA

Z160 is developed for detailed close-up inspections of highly irradiating fuel. It is used in 4-face fuel inspection systems, fresh fuel elevators, fuel preparation machines and other manipulators where high quality color HD or SD images are required. Functions like active camera cooling and tilt can be provided.

### APPLICATIONS

- For placement in 4-face fuel inspection systems, fresh fuel elevators, fuel preparation machines or other manipulators where the camera has to meet exceptional demands due to the placement close to fuel assemblies and fuel rods.

### BENEFITS

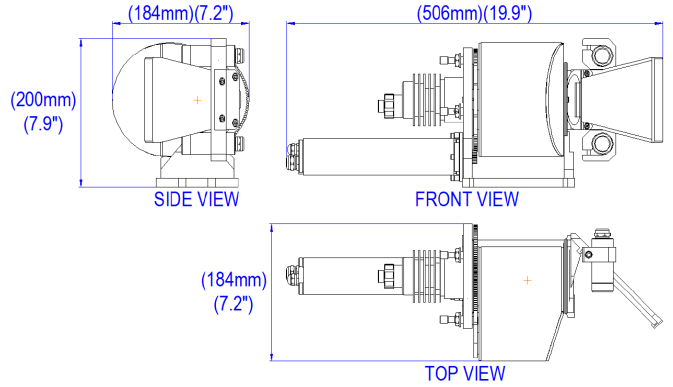
- Auto-focus and auto-iris
- Robust high-resolution radiation tolerant camera
- Active camera cooling optional
- Tilt function can be provided if required
- Available in SD or HD video version

### SPECIFICATIONS

Diameter	171 mm (6,7")
Length	387 mm (15,2")
Weight	25,4 kg (56,0 lbs)
Housing material	Stainless steel EN 1.4301, AISI 304, anodized aluminum
Radiation tolerance (dose rate)	up to 10 000 Gy/h (1 000 000 rad/h)
Radiation tolerance (total dose)	200 000 Gy (20 000 000 rad)
Maximum temperature	50°C, 70°C with active cooling (122°F, 158°F with active cooling)
Water tightness	min 3,5 bar (50 psi)
Zoom	x10 optical x10 digital giving x100
Minimum distance to object	5 mm (0,20")
SD horizontal angle of view	36° (wide end) to 5,1° (tele end)
HD horizontal angle of view	50° (wide end) to 5,4° (tele end)
Resolution SD version	720 TV-lines
Resolution HD version	720p
Lights	in tilt version N160TZ
Tilt angle	0° to 90° (optional)

*We reserve the right to alter specifications without prior notice*

## Z160 IMAGES



*We reserve the right to alter specifications without prior notice*