



# HI-RAD XS

## EXTRA SMALL HD PTZ CAMERA

The Hi-Rad XS is a small camera with x10 times optical zoom and built-in pan and tilt functions. Thanks to its small size, it is well suited for irradiated areas with limited space.

### APPLICATIONS

- G1-G2 versions for use underwater only. G3 version for use in air only
- For inspections where superior color rendition and high definition resolution is needed, e.g. fuel inspections and inspection of internal parts
- For inspections of large surfaces where frequent auto re-focusing is required, e.g. at core mapping
- Ideal for use in high radiation areas with limited space

### BENEFITS

- Auto-focus and auto-iris
- Superior color rendition and high definition image
- Powerful LED lighting
- Also available in SD video version

### SPECIFICATIONS

Diameter	88 mm to 93 mm (3,46" to 3,65") depending on tilt angle
Length	345 mm (13,6")
Weight	3,8 kg (8,4 lbs)
Housing material	Stainless steel EN 1.4301/EN 1.4436, AISI 304/AISI 316, anodized aluminum
Radiation tolerance (dose rate)	500 Gy/h (50 000 rad/h)
Radiation tolerance (total dose)	1 200 Gy (120 000 rad)
Maximum temperature	50°C (short-term up to 70°C) 122°F (short-term up to 158°F)
Water tightness	min 3,5 bar (50 psi), underwater versions
Ingress protection	IP65, air version
Zoom	x100 (x10 optical, x10 digital)
Minimum distance to object	5 mm (0,20")
SD horizontal angle of view	~5°-36°
HD horizontal angle of view	~5°-50°
Resolution SD version	720 TV-lines
Resolution HD version	720p
Lights	4 LED lights, in total 3600 lumen, 120° beam angle
Pan angle	360° (endless rotation)

*We reserve the right to alter specifications without prior notice*

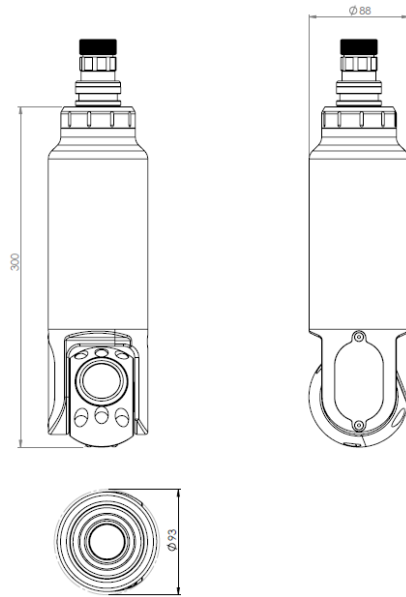
---

Tilt angle

$\pm 135^\circ$  (from the vertical plane)

*We reserve the right to alter specifications without prior notice*

## HI-RAD XS IMAGES



*We reserve the right to alter specifications without prior notice*