



# AHL-LIGHT 15

## LED DROP LIGHT

The Ahl-Light 15 is a small light that can illuminate narrow working areas.

### APPLICATIONS

- Underwater nuclear drop light
- Ideal for work in reactor and fuel pools
- Works together with a separate power supply unit

### BENEFITS

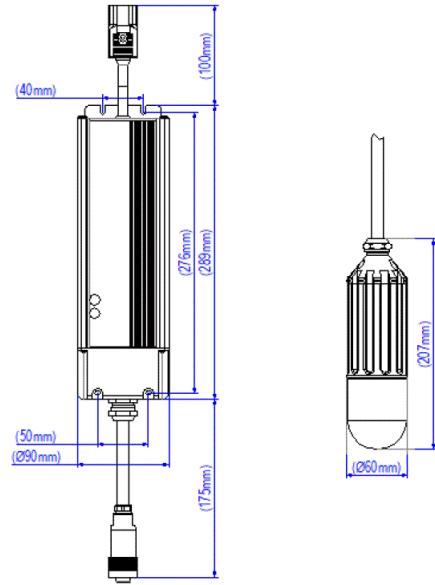
- Low maintenance costs due to its long life-time
- 15 000 lumen light output
- FME approved design - no loose parts can enter the pool water

### SPECIFICATIONS

Diameter	60 mm (2,4")
Height	207 mm (8,1")
Weight	1,2 kg (2,3 lbs)
Housing material	Anodized aluminum
Backside material	Stainless steel
Front glass material	PUR
Maximum temperature	50°C, 70°C for short periods (122°F, 158°F)
Maximum cable length	up to 100m
Water tightness	3,5 bar (35 m)
Lights	LED 100-240 VAC, 50/60 HZ
Typical luminous flux	15 000 lumen
Life time	>50 000 h
Radiation tolerance (total dose)	50 000 Gy (5 000 000 rad)

*We reserve the right to alter specifications without prior notice*

## AHL-LIGHT 15 IMAGES



*We reserve the right to alter specifications without prior notice*